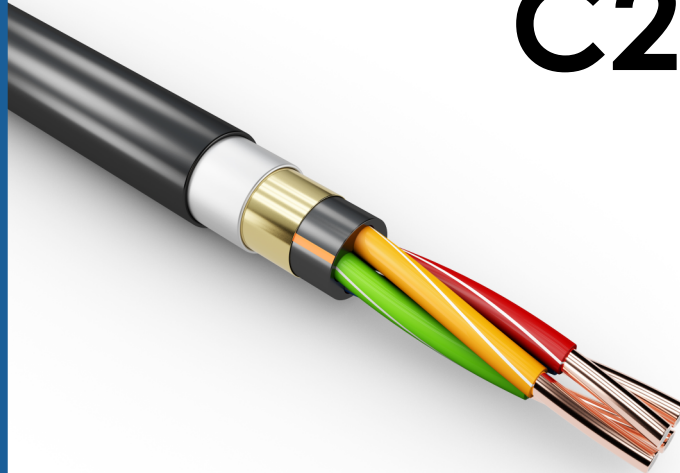




GENVOLT

Multi Conductor Cable

C2188



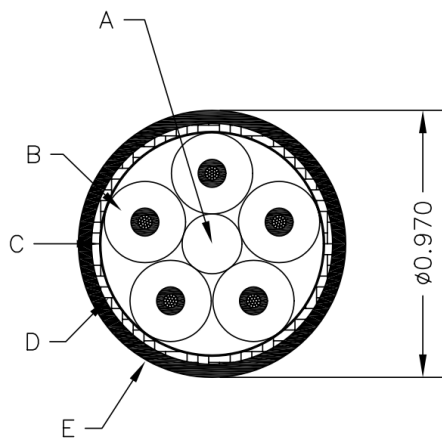
High Voltage
Multi Conductor Cable



C2188

50kV_{DC} / 15kV_{AC} / SILICONE DIELECTRIC / 5 CONDUCTOR SHIELDED

CONSTRUCTION



KEY

- A. NEOPRENE CORD Ø0.21
- B. 5X #16 AWG (19/29 SPC) SEMICON SILICONE. SILICONE INSULATION TO Ø0.295 INCH W/ OUTER SEMICON INK
- C. SEMICON TAPE 0.0055 THICK
- D. 34 AWG TC BRAID SHIELD 90% COVERAGE
- E. BLACK PVC JACKET, Ø0.970

TECHNICAL INFORMATION

Voltage kV (DC)		50	Voltage kV (AC)		15
Number of Conductors		5	Outside Diameter	Inches	0.870
				cm	2.210
AWG		#16	Impedance	ohms	44
Strands		19/29 SPC	Capacitance	pF/ft	50
Insulation		Silicone	Min Bend Radius	Inches	5.00
Semicon Diameter		0.100" / 0.25cm		cm	12.70
Dielectric Insulation	Material	Silicone	Min Ambient Temp	°F	-60
	Diameter (in)	0.295		°C	-51
	Diameter (cm)	0.750	Max Conductor Temp	°F	250
Construction	#34 TC Braid	°C		121	
Shield	AWG Equip	#15	Weight	lb/ft	0.300
	Coverage %	90%		kG/m	0.447
	Semicon	ink & tape	Jacket Material		Neoprene

GLOBAL PRESENCE



UK Office:

Genvolt, New Road, Bridgnorth, Shropshire, WV16 6NN, United Kingdom

Tel: +44 (0) 1746 862 555

Email: info@genvolt.co.uk Website: www.genvolt.com

India Office:

Genvolt India Private Limited

806, Suratwala Mark Plazzo, Hinjewadi Village, Hinjewadi, Pune, Maharashtra - 411057, India

Email: supportindia@genvolt.co.uk Website: www.genvolt.in

Research and Development:

Genvolt Ltd

New road, Bridgnorth, Shropshire, WV16 6NN

Factories:

Genvolt Ltd

New road, Bridgnorth, Shropshire, WV16 6NN

Boher High Voltage Power Supplies Ltd (Genvolt China)

No. 79 Yandangshan Road, Suyu District, Suqian City, Jiangsu, China